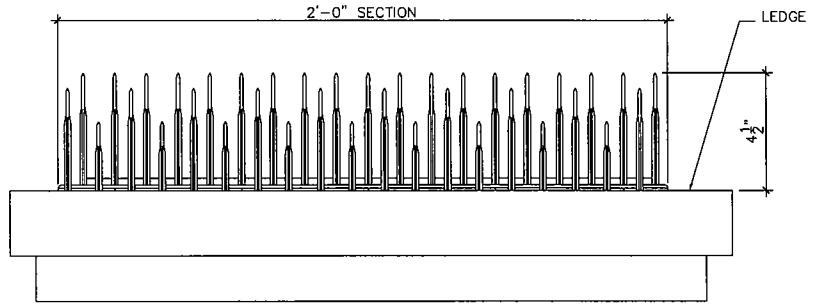
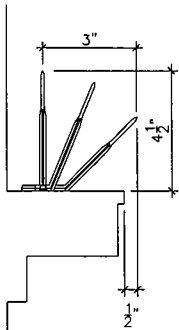


# BIRD-B-GONE, INC.

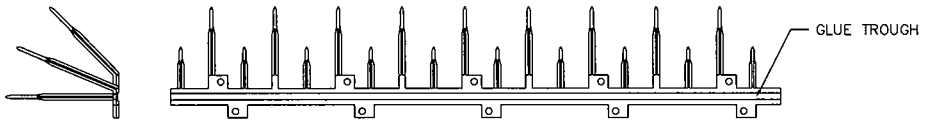
BIRD SPIKE 2000-3"

23918 SKYLINE  
MISSION VIEJO, CA 92692  
TEL: 800-392-6915 OR 949-472-3122  
FAX: 949-472-3116

SIDE VIEW @ LEDGE



FRONT VIEW



BOTTOM VIEW

**NOTE:** SPEC. MOUNTING SYSTEM PER PROJECT CONDITIONS:

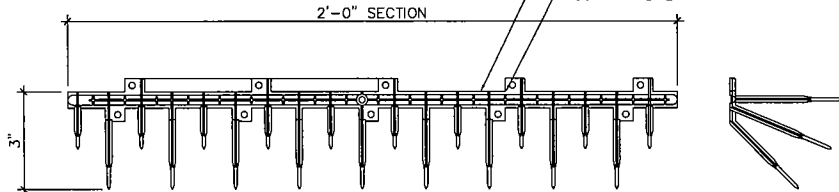
A. WOOD: USE #8 WOOD SCREWS.

B. STEEL, BRICK OR CONC.: USE OUTDOOR CONST. ADHESIVE, NOT SILICONE BASED.

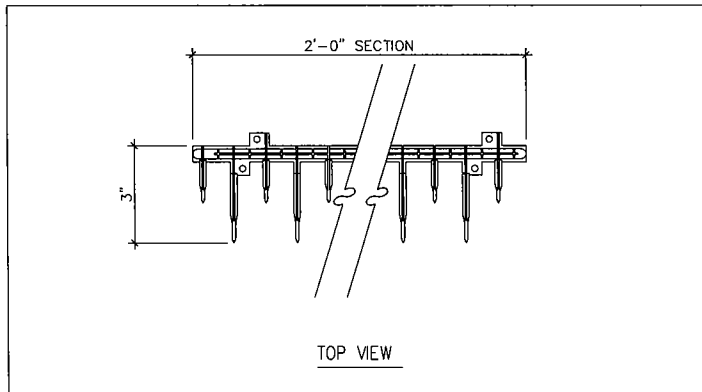
C. PIPES OR POLES: TY-WRAPS OR TY-WRAPS W/ OUTDOOR CONST. ADHESIVE.

U.V. STABILIZED POLYCARBONATE SPIKE STRIP, SEE SPECS. FOR COLOR SELECTION

CUT AT "BREAK AWAY" POINTS.



TOP VIEW



TOP VIEW

