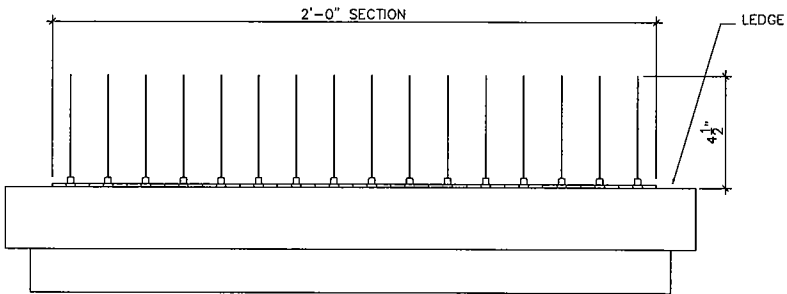
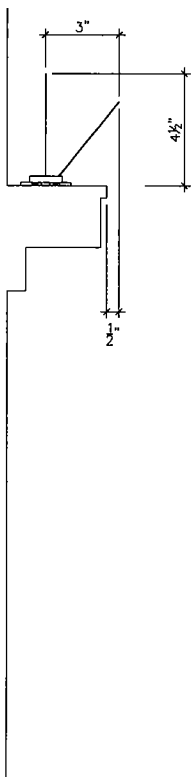


BIRD-B-GONE, INC.

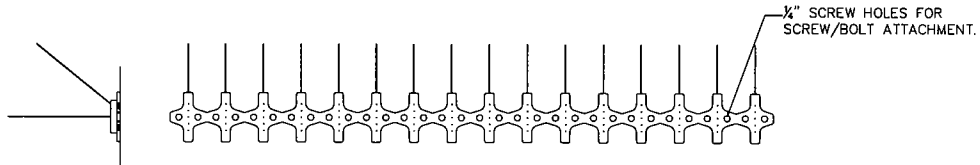
BIRD SPIKE 2001-3"

23918 SKYLINE
MISSION VIEJO, CA 92692
TEL: 800-392-6915 OR 949-472-3122
FAX: 949-472-3116

SIDE VIEW @ LEDGE



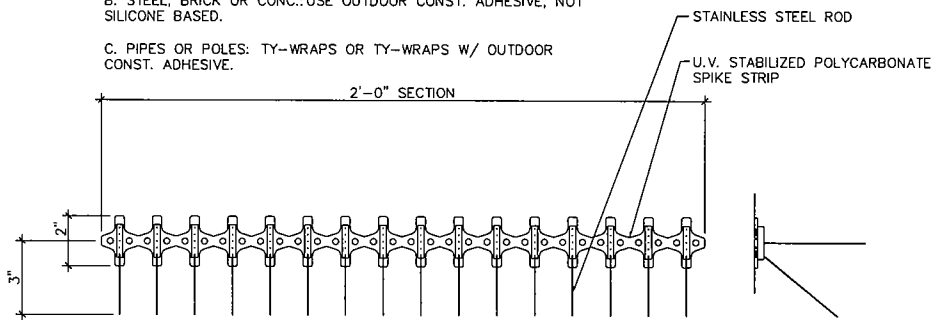
FRONT VIEW



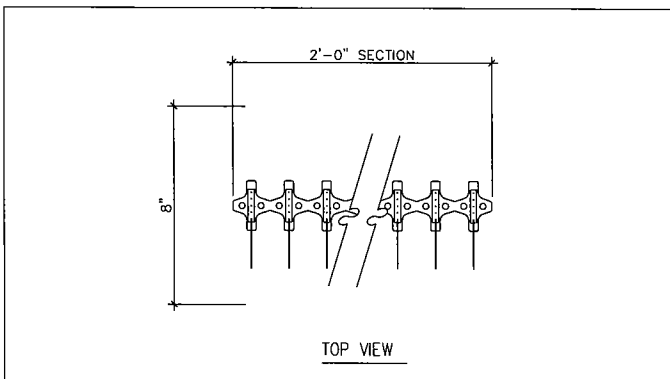
BOTTOM VIEW

NOTE: SPEC. MOUNTING SYSTEM PER PROJECT CONDITIONS:

- A. WOOD: USE #8 WOOD SCREWS.
- B. STEEL, BRICK OR CONC.: USE OUTDOOR CONST. ADHESIVE, NOT SILICONE BASED.
- C. PIPES OR POLES: TY-WRAPS OR TY-WRAPS W/ OUTDOOR CONST. ADHESIVE.



TOP VIEW



TOP VIEW

